

## 2 WAY - 3 WAY ZONE VALVES SERIES V2BM - V3BM



### MAIN FEATURES

- Available 2 and 3 way:
- DN: 1/2" - 3/4" - 1" - 1.1/4" - 1.1/2" - 2"
- Small sizes and weight
- Standard UNI 9753/90

## DESCRIPTION

V2BM, V3BM are zone valves, 2 way and 3 way, manufactured in bronze with a globe plug. The valves are suitable for actuator series M400 or M800. The valves are available with female threaded. V2BM is normally open. V3BM is mixing valve.

## USE

V2BM, V3BM are zone valves, 2 way and 3 way, used on heating and cooling systems.

## FUNCTION

The function are based on plug moving by actuator series M400 or M800 installed on the body valves.



### V2BM

2 way globe valve, normally open

### Part No.

V2BM15  
V2BM20  
V2BM25  
V2BM32  
V2BM40  
V2BM50

### Dn

1/2"  
3/4"  
1"  
1.1/4"  
1.1/2"  
2"



### V3BM

3 way globe valve

### Part No.

V3BM15  
V3BM20  
V3BM25  
V3BM32  
V3BM40  
V3BM50

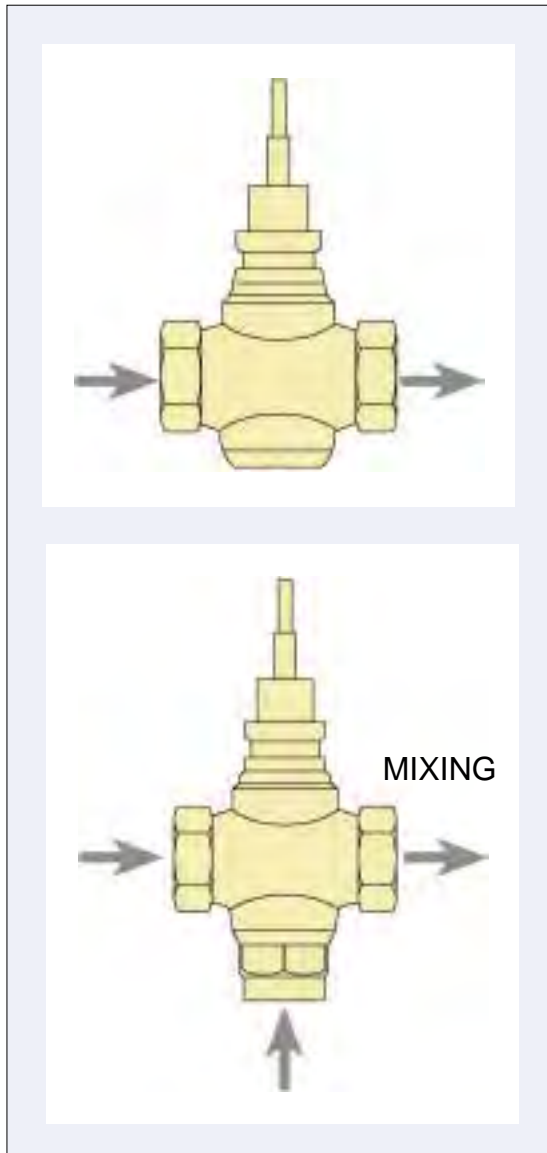
### Dn

1/2"  
3/4"  
1"  
1.1/4"  
1.1/2"  
2"

## HYDRAULICS FEATURES

The hydraulic characteristics of the V2BM and V3BM valves are displayed in tab.1

## FLOW SENSE:



TAB. 1

CODE	DN	ACTUATOR M400 Max DP close-off (kPa)	ACTUATOR M800 Max DP close-off (kPa)	Kvs	Kvs BY-PASS
V2BM15	½"	1050	1600	4.0	
V2BM20	¾"	1050	1600	6.3	
V2BM25	1"	600	1000	10	
V2BM32	1¼"	400	800	16	
V2BM40	1½"	250	600	25	
V2BM50	2"	150	400	40	
V3BM15	½"	1050	1600	4.0	2.7
V3BM20	¾"	1050	1600	6.3	4.0
V3BM25	1"	600	1000	10	6.0
V3BM32	1¼"	400	800	16	12
V3BM40	1½"	250	600	25	19
V3BM50	2"	150	400	40	33

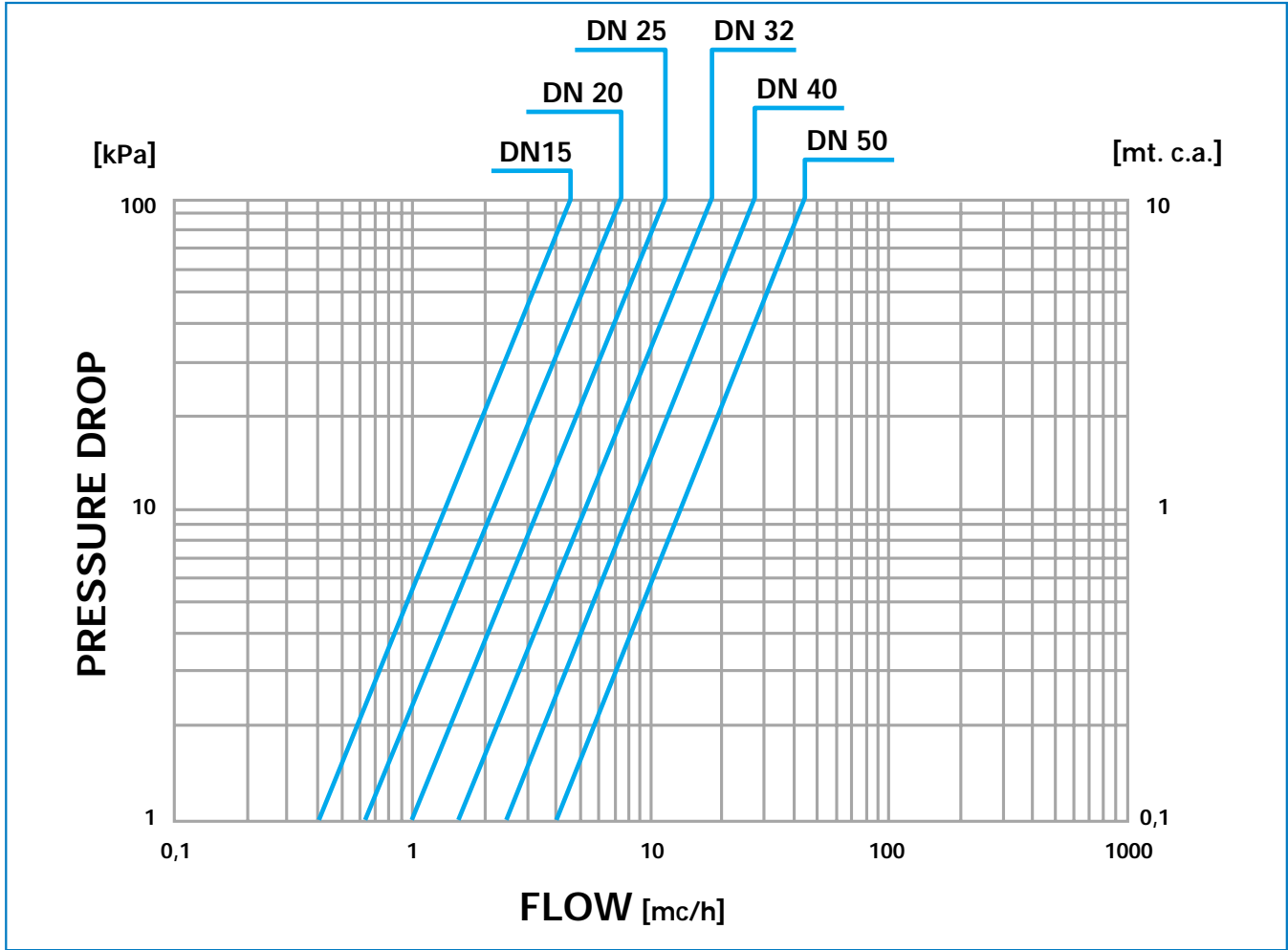
## TECHNICAL CHARACTERISTICS

Nominal pressure	16 Bar
Max. temperature	110°C
For fluid temperature minus (until - 20° )	Use Stem Heater RISC
Control characteristic	Equal Percentage
Stroke	20mm
Usable liquids	Water with glycol 30%

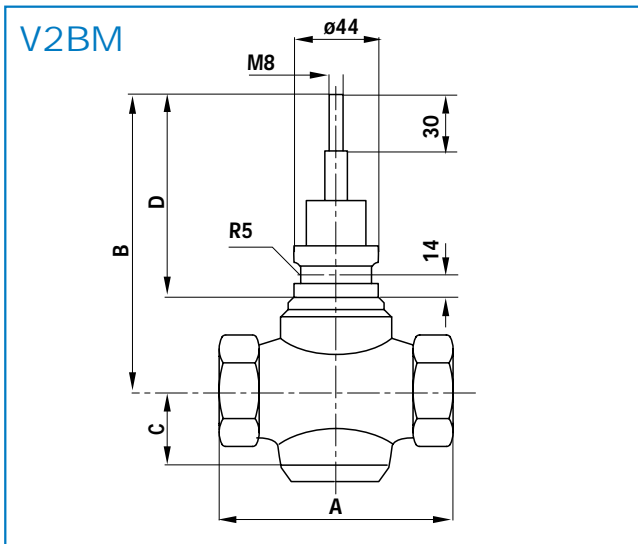
## DESIGN FEATURES

Stem	Stainless steel
Plug	Brass CW617N

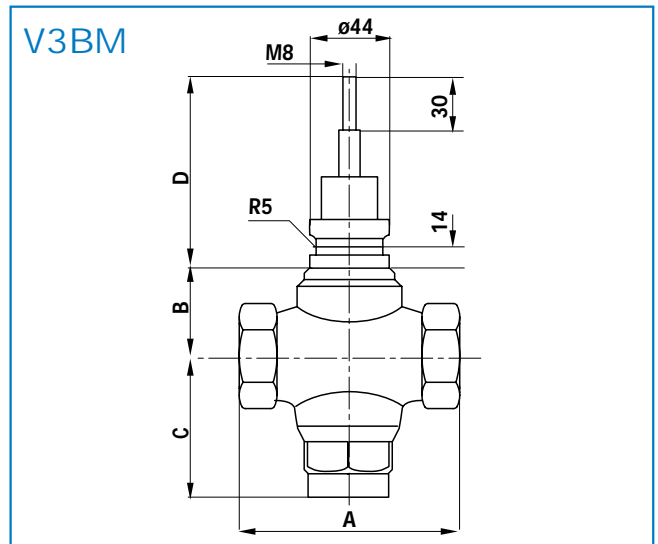
Flow rate/pressure drop chart



Overall Dimensions (mm)



Part No.	A	B	C	D
V2BM15	85	153	30	112
V2BM20	85	153	30	112
V2BM25	105	151	35	105
V2BM32	120	153	38	104
V2BM40	145	167	45	111
V2BM50	165	167	54	103



Part No.	A	B	C	D
V3BM15	85	153	69	112
V3BM20	85	153	69	112
V3BM25	105	151	71	105
V3BM32	120	153	75	104
V3BM40	145	167	79	111
V3BM50	165	167	90	103